

ROTLIGHT TITAN™ X2

The Rotolight Titan™ X2 redefines the standard for cinematic lighting. A ground-breaking LED soft light, it utilizes state of the art RGBWW technology to deliver unparalleled light output, outstanding colour accuracy for gorgeous skin tones and a suite of industry-first features to enhance the creative possibilities of lighting professionals. Designed and manufactured in the UK, the Titan™ X2 delivers the very latest in LED technology in a sleek yet robust package, engineered to last.

Titan™ X2 is the brightest 2x1 soft light ever made, with none of the added weight. Meticulous in its colour rendition, Titan™ X2 excels in both CRI and TLCI performance, saving time in post-production. With industry-first SmartSoft™ technology, you can electronically adjust the light's diffusion, focus and spread; eliminating the need for gels, whilst its gorgeous soft output and large beam aperture wraps flatteringly around subjects.

Effortlessly access key features with an easy to use interface, quick-start icons, and 50 user customisable presets, saving time on set. With a full-colour touchscreen display, preview Titan's™ extensive



filter library to ensure that you achieve the exact colour you want at a moment's notice.

The Titan™ X2 also features Rotolight's award-winning suite of user customisable CineSFX™ (Fire, Lightning, TV, Gunshot, Paparazzi and more); providing endless creative possibilities on set. Equipped with High Speed Sync flash (1/8000th) with powerful output and zero recycle time; Titan™ X2 is also ideal for high-end studio and portrait photographers.



Photometric Data	1m / 3.3ft		3m / 9.8ft		5m / 16.4 ft		7m / 23 ft		9m / 29.5 ft	
Rotolight™ Titan X2	3200K	5600K	3200K	5600K	3200K	5600K	3200K	5600K	3200K	5600K
Titan™ X2 No Diffusion	15525 lx 1442 fc	16800 lx 1561 fc	2220 lx 206 fc	2415 lx 224 fc	953 lx 88 fc	983 lx 91 fc	543 lx 50 fc	524 lx 48 fc	365 lx 34 fc	351 lx 32 fc
Titan™ X2 50% Diffusion	11700 lx 1087 fc	16200 lx 1505 fc	2003 lx 186 fc	2310 lx 215 fc	848 lx 78 fc	930 lx 86 fc	511 lx 47 fc	503 lx 47 fc	320 lx 29 fc	343 lx 32 fc
Titan™ X2 Full Diffusion	9225 lx 857 fc	10425 lx 968 fc	1500 lx 139 fc	11470 lx 137 fc	582 lx 54 fc	604 lx 56 fc	318 lx 29 fc	325 lx 30 fc	209 lx 19 fc	219 lx 20 fc
Titan™ X2 With Intensifier	16650 lx 1547 fc	18375 lx 1707 fc	2258 lx 209 fc	2498 lx 232 fc	960 lx 89 fc	1016 lx 94 fc	544 lx 50 fc	518 lx 48 fc	373 lx 35 fc	363 lx 33 fc

*Provisional Photometrics tested in September 2019 using a Sekonic C7000

Order no.	Description	Barcode
RL-TITAN-X2-Y	Titan X2 with Standard Yoke	5060222852141
RL-TITAN-X2-P	Titan X2 with Pole Operated Yoke	5060222852158
RL-TITAN-X2-S	Titan X2 with Centre Mount Swan Neck	5060222852134

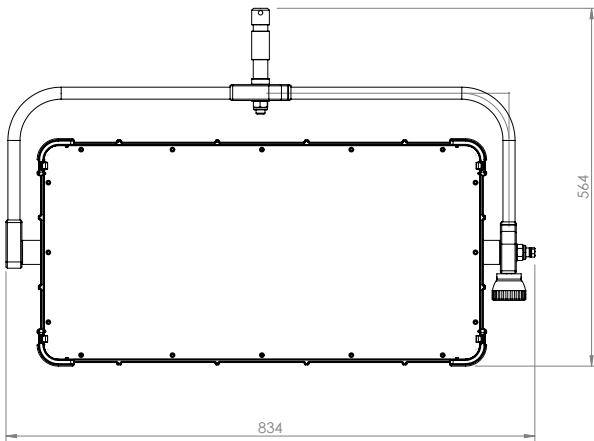
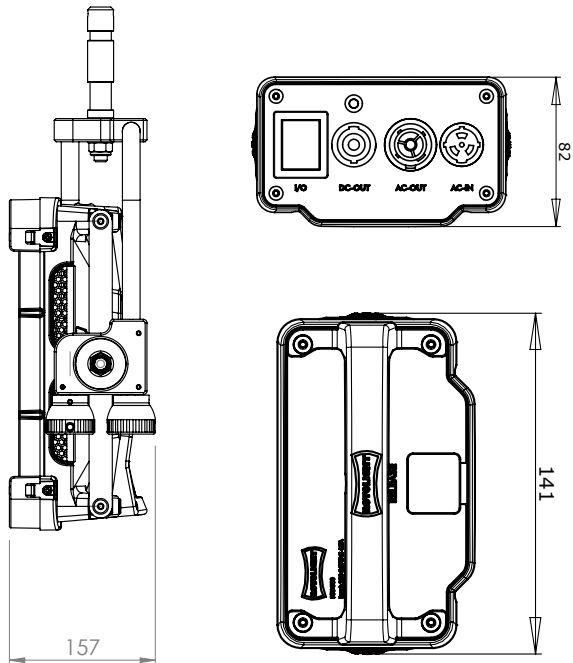


Diagram shows Titan™ X2 with Pole Operated Yoke



Technical Specifications: Power Supply Unit

Power Supply Input Range	110 to 240 V AC, 50/60 Hz
Power Supply Output	24 V DC 750 watt
Power Input Connector	PowerCON TRUE1 (Bare Ends/Shuko/Edison cables available)
Power Output Connector	PowerCON TRUE1 (mains power through)
DC Output Connector	Female speakCON (Positive Pin 1+ 2+ / Negative Pin 1- 2-)
Weight	3.7kg / 8.15 lbs
Dimensions	379 mm x 141 mm x 82 mm
Control	On-board latching on/off switch
Mounting	Central K-Mount, latching K-Mount, or to truss/pole via K-Mount adapter with superclamp
Certifications	CE, CB*, EAC*, cNRTLus*, TUV*, FCC*, EN*, UL*

Technical Specifications: Lamphead

LED System	Rotolight PentaChromatic Colour Engine™
Diffuser System	Rotolight SmartSoft™ Diffusion
Light Aperture	650 x 300 mm / 25.6" x 11.8"
Beam Angle	Electronically variable 68 degrees to 150 degrees
Weight	Titan™ X2 body: 10.6kg / 23.3 lbs Titan™ X2 + Standard Yoke: 13.1kg / 28.8 lbs Titan™ X2 + Pole Operated Yoke: 14.6kg / 32.1 lbs Titan™ X2 + Swan-Neck: 11.5kg / 25.3 lbs
Dimensions	Titan™ X2 body: 350 x 150 x 705mm 13.7" x 5.9" x 27.7" Titan™ X2 body + Standard Yoke: 546 x 158 x 840mm 21.4" x 6.2" x 33" Titan™ X2 body + Pole Operated Yoke: 532 x 139 x 814mm 20.9" x 5.4" x 32" Titan™ X2 + K-Mount Swan Neck: 350 x 295 x 705mm 20.9" x 5.4" x 27.7"
Handling	Pole Operated Yoke (Pan and Tilt), Standard Yoke K-Mount Swan-Neck with Baby 16mm Socket
Mounting	28mm Junior Spigot or 16mm Baby Spigot (K-Mount Swan-Neck)
Tilt Angle	+/- 90 Degrees
Lamphead DC Voltage Input	24 V DC
Power Consumption	420W Nominal
Lamphead Power Connection	Neutrik Speakon (Positive Pin 1+ 2+ / Negative Pin 1- 2-)
Battery DC Voltage Range	20.5 V DC to 26 V DC
Battery Mode Light Output	4 way adapter : 50%
White Light	2800K to 10,000K continuously variable Correlated Colour Temperature
Coloured Light	Full RGBWW colour gamut with Hue, Saturation and Diffusion Control
Colour Temperature Tolerance	+/- 50 K (Nominal), +/- 5% Green-Magenta (Nominal)
CRI	5600K >95 3200K >95 Skintone R15 = 98
TLCI	98
Green-Magenta Adjustment	Continuously variable (full minusgreen to full plusgreen)
Dimming	0 - 100 % continuous
Diffusion	0 - 2 stops continuous (0%- 100%)
Control	Local 5 pin DMX, RJ45, Bluetooth*, LumenRadio*, wired/wDMX, Elinchrom Skyport *Bluetooth connectivity and LumenRadio control coming Q1 2020
Remote Device Management (RDM)	DMX Setup, Hour Counter, and Standard RDM Commands
Flash	Skyport HSS (range 200M), up to 1/8000th sec
Software Interface	Firmware/software upgrade via USB-A
Factory Interface	Firmware installation, system configuration and calibration interface
Housing Colour	Black, red and silver
Ambient temperature operation	-20 to +45 C (-4 to 113 degrees Fahrenheit) Active Intelligent Thermal Management
Protection Class / IP Rating	IP20
Estimated LED Lifetime (L70)	50,000 Hours
Estimated colour shift over lifetime (CCT)	+/- 5 %
Certifications	CE, FCC*, UL*, TUV*